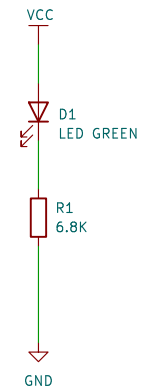
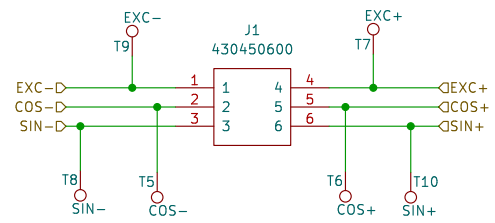
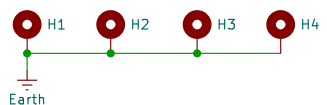
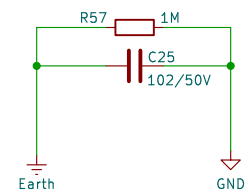
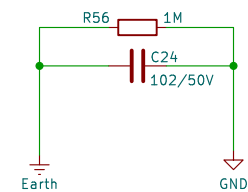
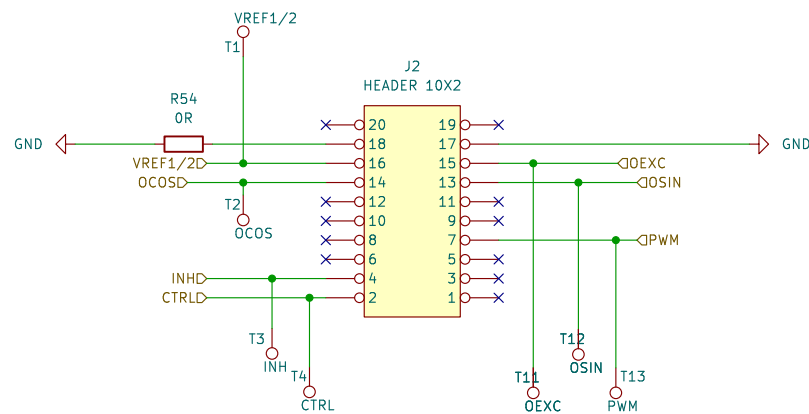
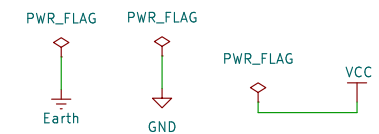
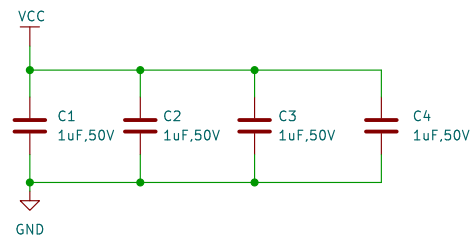
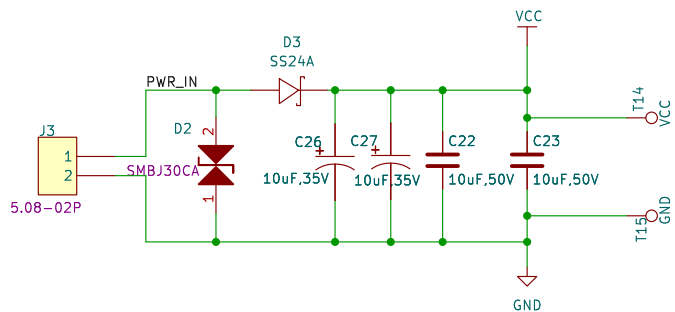
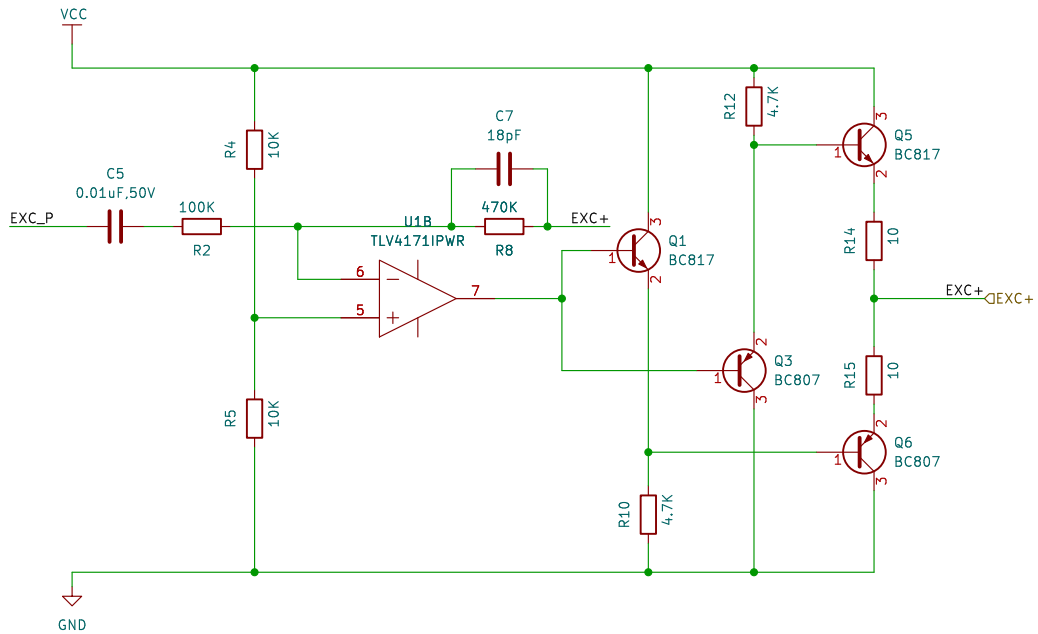


Sheet: /Main_Entry /		
File: Main_Entry .kicad_sch		
Title:		
Size: A4	Date:	Rev:
KiCad E.D.A. kicad 7.0.2		Id: 2/5

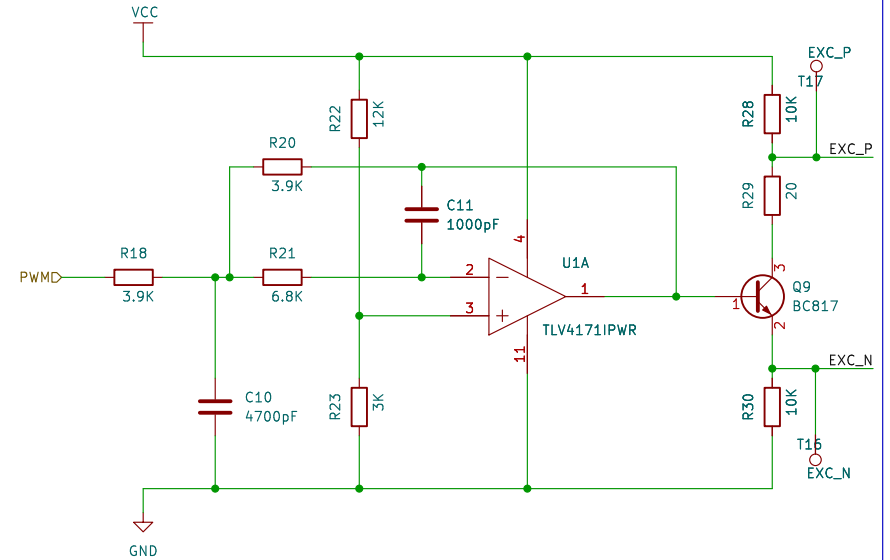


Sheet: /Main_Entry /CONN/		Date:	
File: CONN.kicad_sch		Rev:	
Size: A4	KiCad E.D.A. kicad 7.0.2	Id: 4/5	

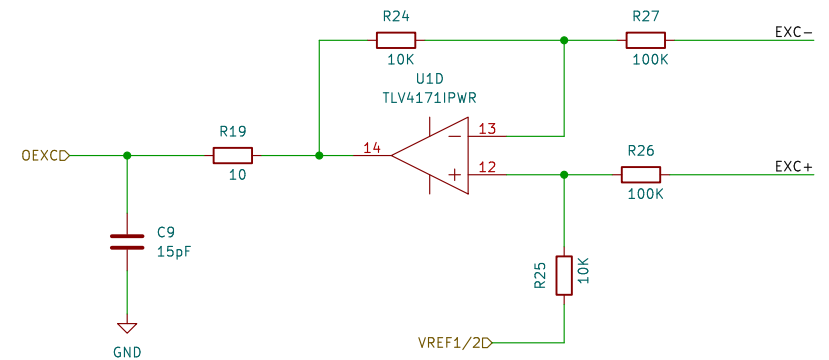
EXCITATION AMPLIFIER



PWM to SINEWAVE+PHASE SPLITTER



EXCITATION AMPLIFIER SENSING



Sheet: /Main_Entry /Phase Splitter/
File: Phase Splitter.kicad_sch

Title:

Size: A4

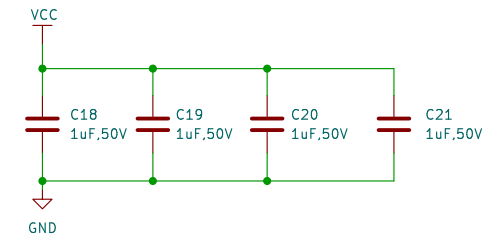
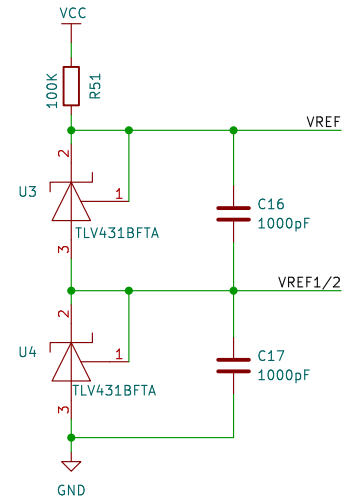
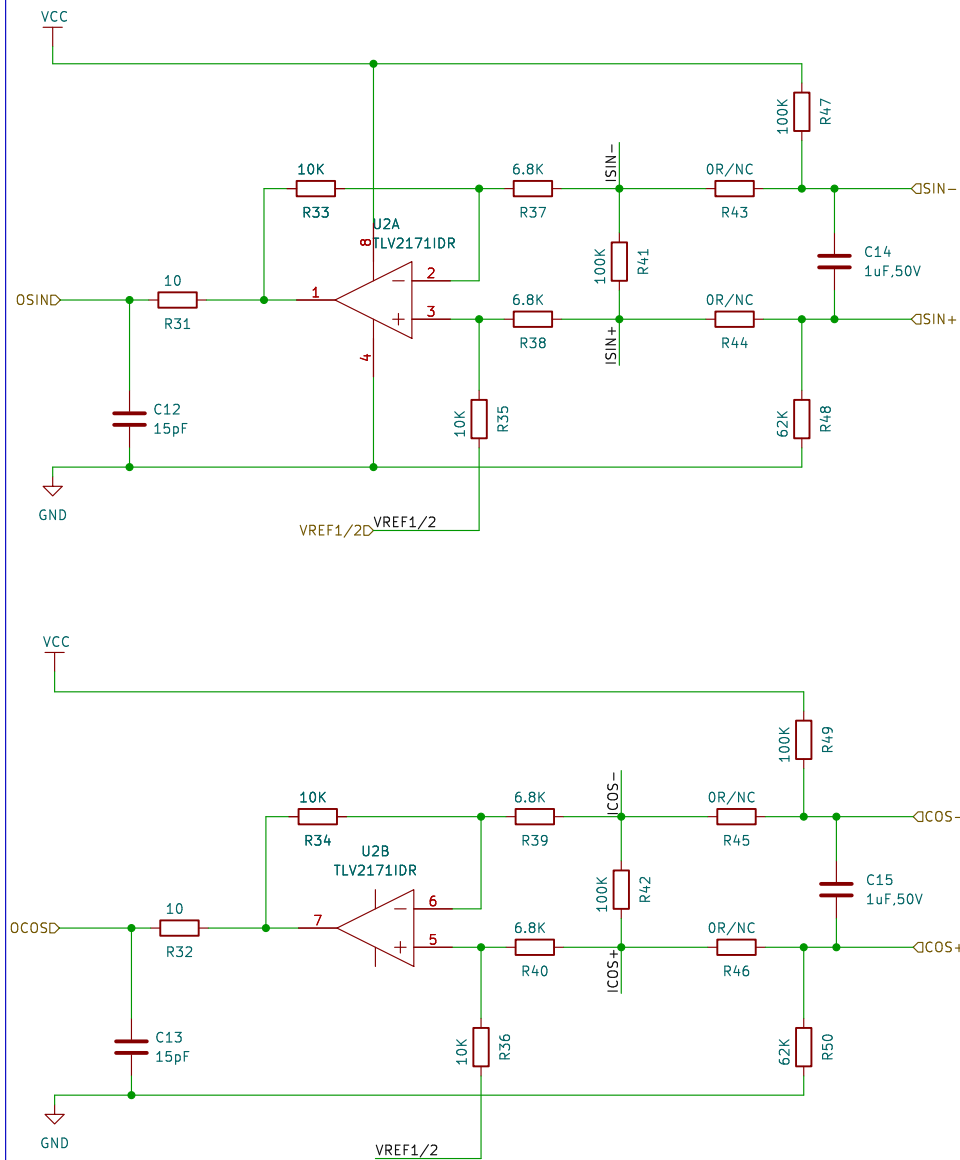
Date:

KiCad E.D.A. kicad 7.0.2

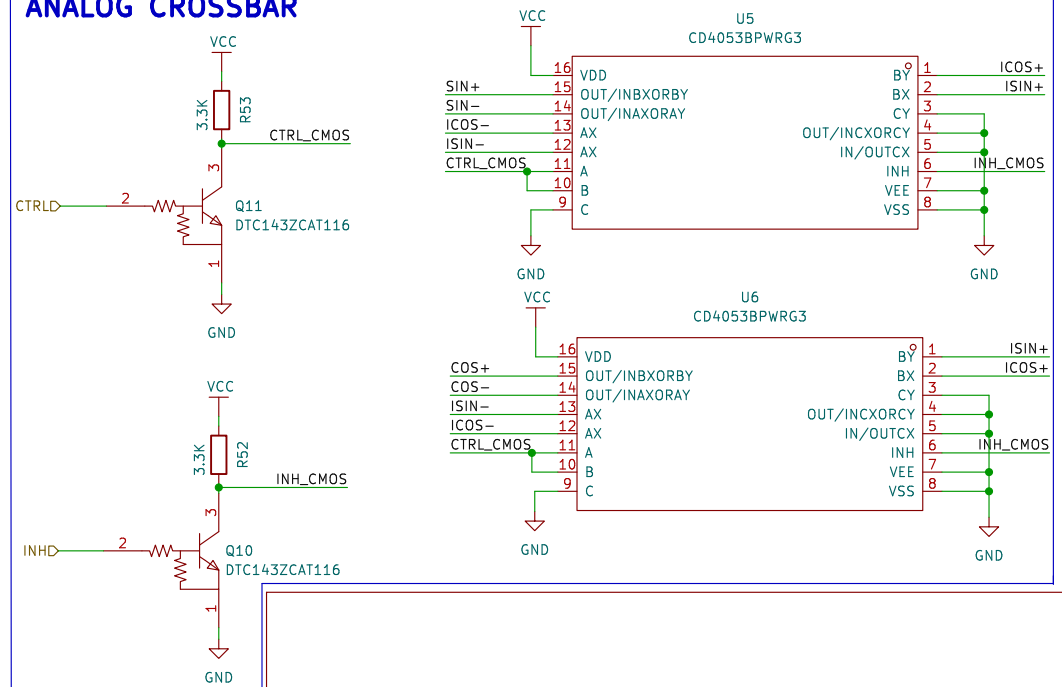
Rev:

Id: 5/5

SIGNAL RESOLVER FEEDBACK



ANALOG CROSSBAR



Sheet: /Main_Entry /FeedBack/
File: FeedBack.kicad_sch

Title:

Size: A4
KiCad E.D.A. kicad 7.0.2

Date:

Rev:

Id: 6/5