

System block diagram

POWER

VANA_LDO_3V3
DCDC 2A 3V3

USB-OTG
TYPE C

USB-UART
TYPE C

2路TSN
P1/P2

1路OLED



JTAG20PIN

FLASH 128Mb

2X10插针

以太网
通过RC
直连TSN P3□
RGMII

RESET KEY
KEYA KEYB
KEYC KEYD
BOOT SW
LEDx2

修订历史

内容	时间
HPM6E00EnetConnectTsnRevB	20260211



Sheet File: 根目录

Title: HPM6E00EnetConnectTsnRevB

Size: A4

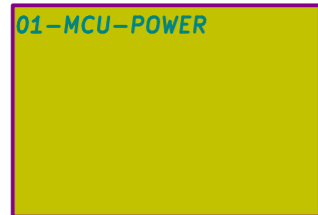
Date: 2026-02-11

Rev:

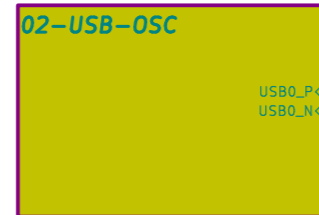
KiCad E.D.A. 8.0.9

Id: 0/15

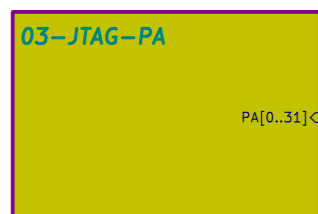
MCU



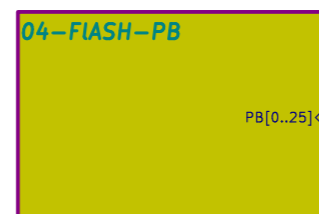
File: 01-MCU-POWER.kicad_sch



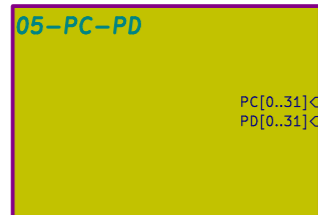
File: 02-USB-OSC.kicad_sch



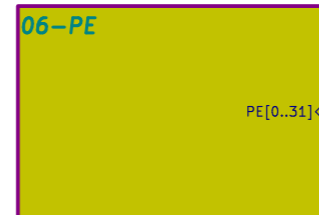
File: 03-JTAG-PA.kicad_sch



File: 04-FIASH-PB.kicad_sch



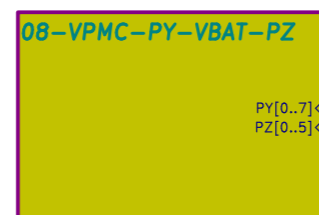
File: 05-PC-PD.kicad_sch



File: 06-PE.kicad_sch



File: 07-PF.kicad_sch



File: 08-VPMC-PY-VBAT-PZ.kicad_sch

POWER



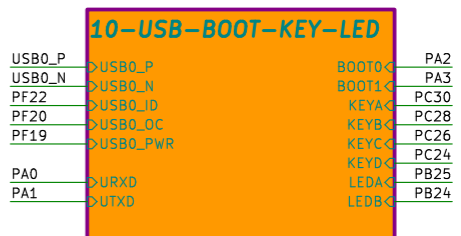
File: 09-POWER.kicad_sch

OLED

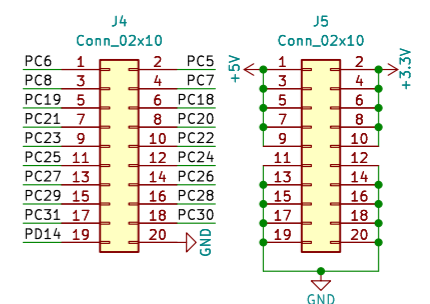


File: 11-OLED.kicad_sch

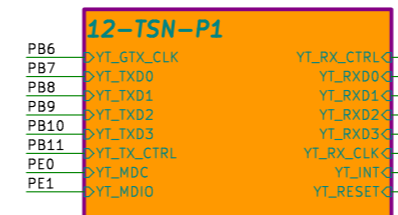
MISC



File: 10-USB-BOOT-KEY-LED.kicad_sch



TSN 交换机 & 以太网

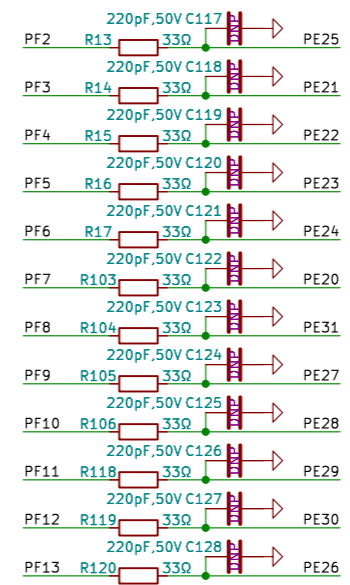


File: 15-TSN.kicad_sch



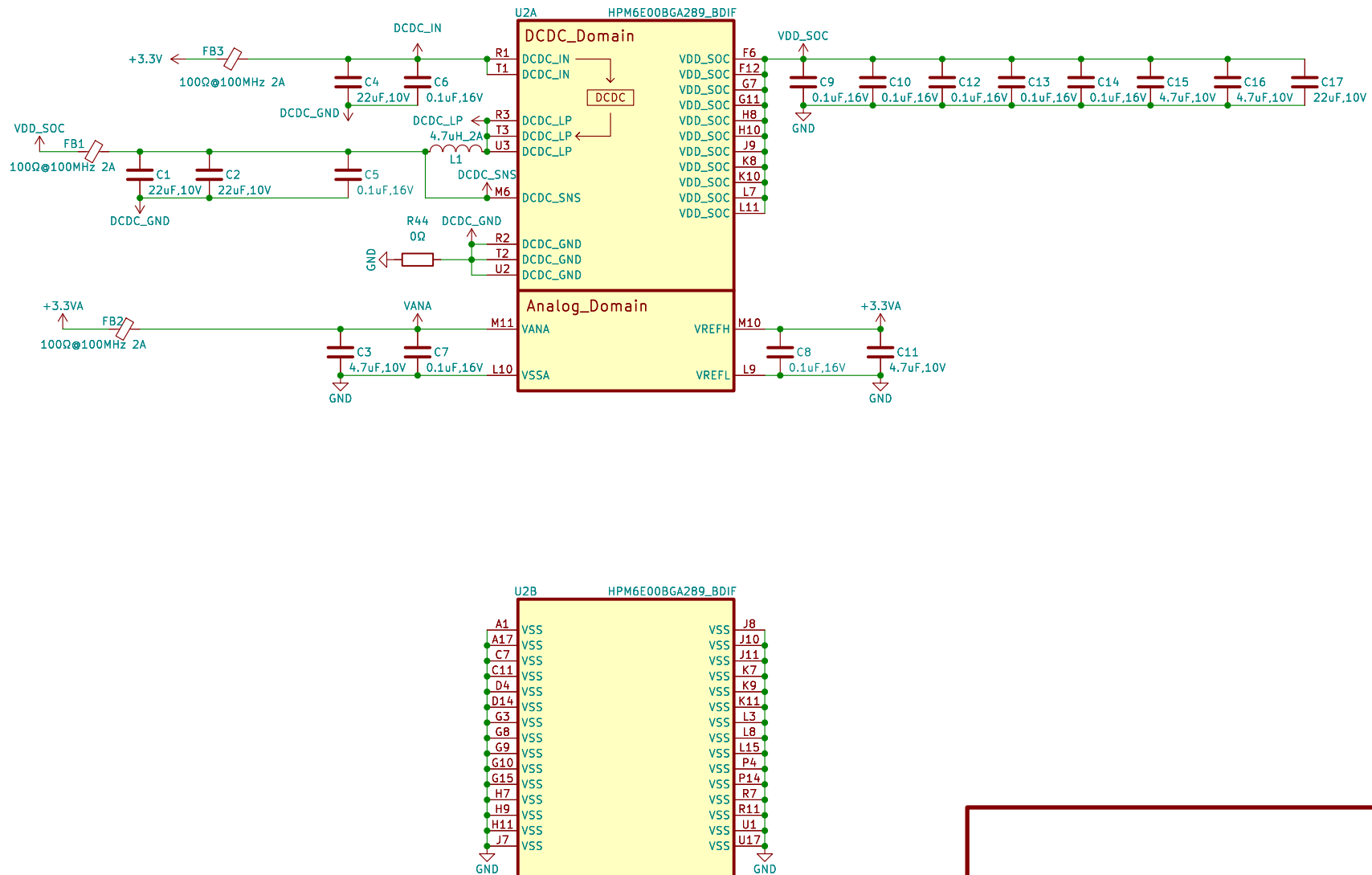
File: 15-TSN.kicad_sch

以太网直连TSN P3口



Sheet File: HPM6E00enetConnectTsnRevB		
Title: HPM6E00enetConnectTsnRevB		
Size: A3	Date: 2026-02-11	Rev: RevA
KICad E.D.A. 8.0.9		Id: 1/15

MCU_POWER



Sheet File: 01-MCU-POWER

Title: HPM6E00EnetConnectTsnRevB

Size: A4

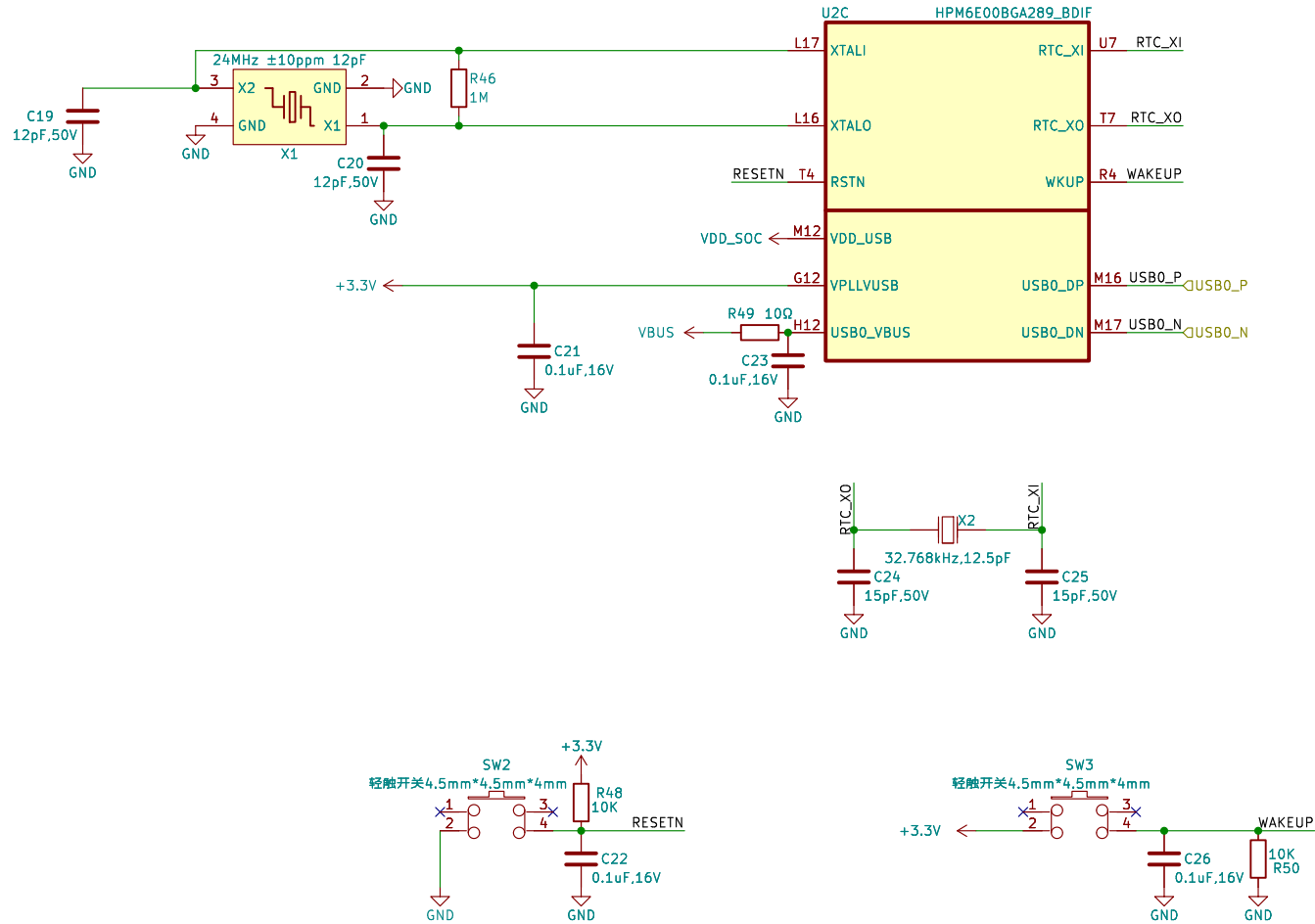
Date: 2026-02-11

Rev: RevA

KiCad E.D.A. 8.0.9

Id: 2/15

MCU_USB_OSC



Sheet File: 02-USB-OSC

Title: HPM6E00EnetConnectTsnRevB

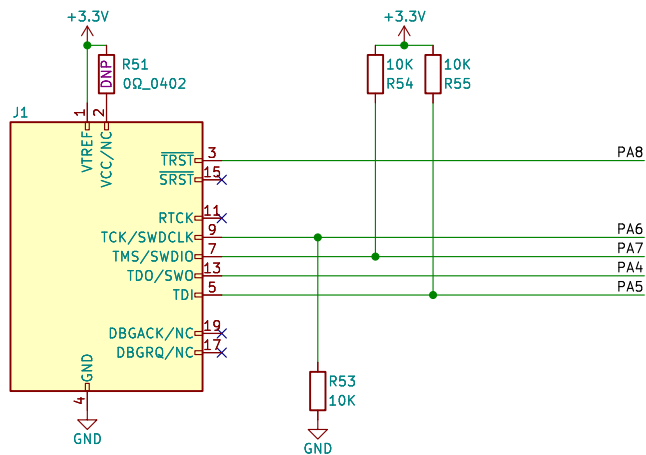
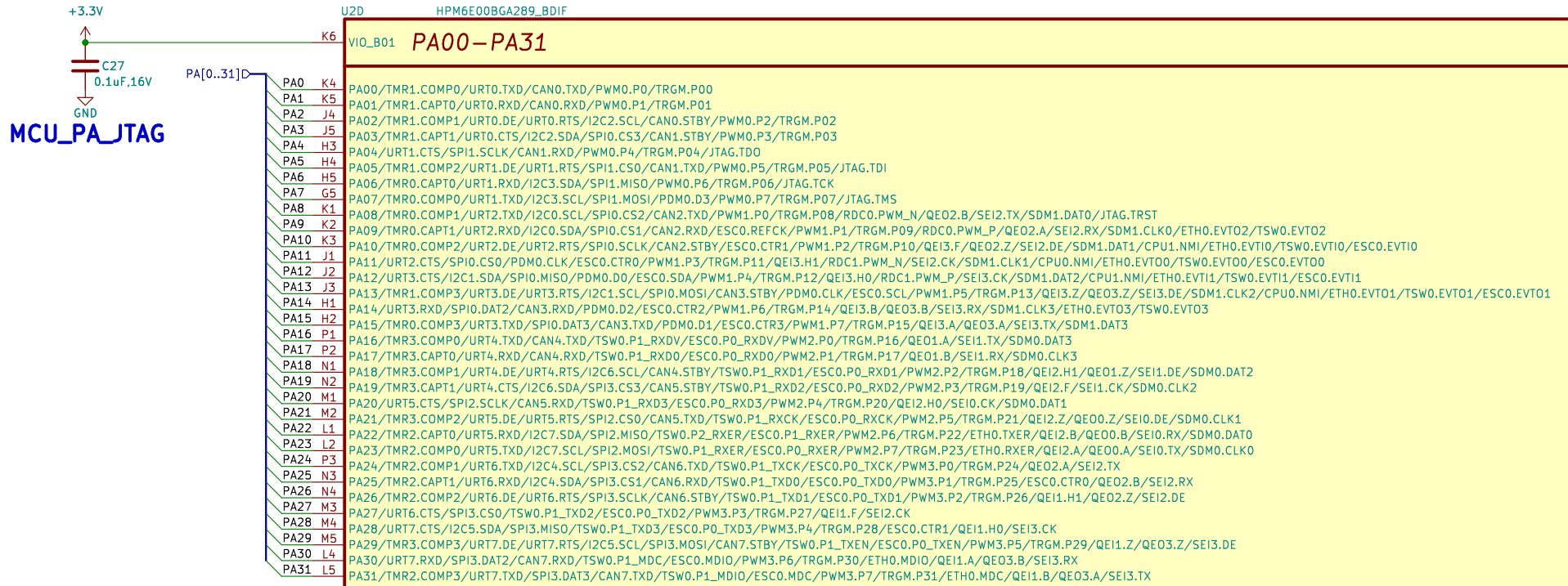
Size: A4

Date: 2026-02-11

Rev: RevA

KiCad E.D.A. 8.0.9

Id: 3/15



Sheet File: 03-JTAG-PA

Title: HPM6E00EnetConnectTsnRevB

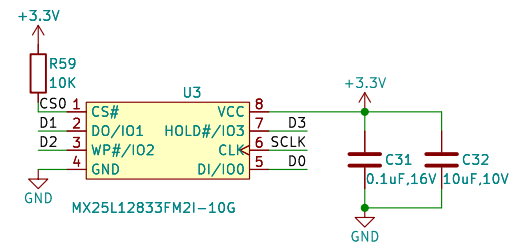
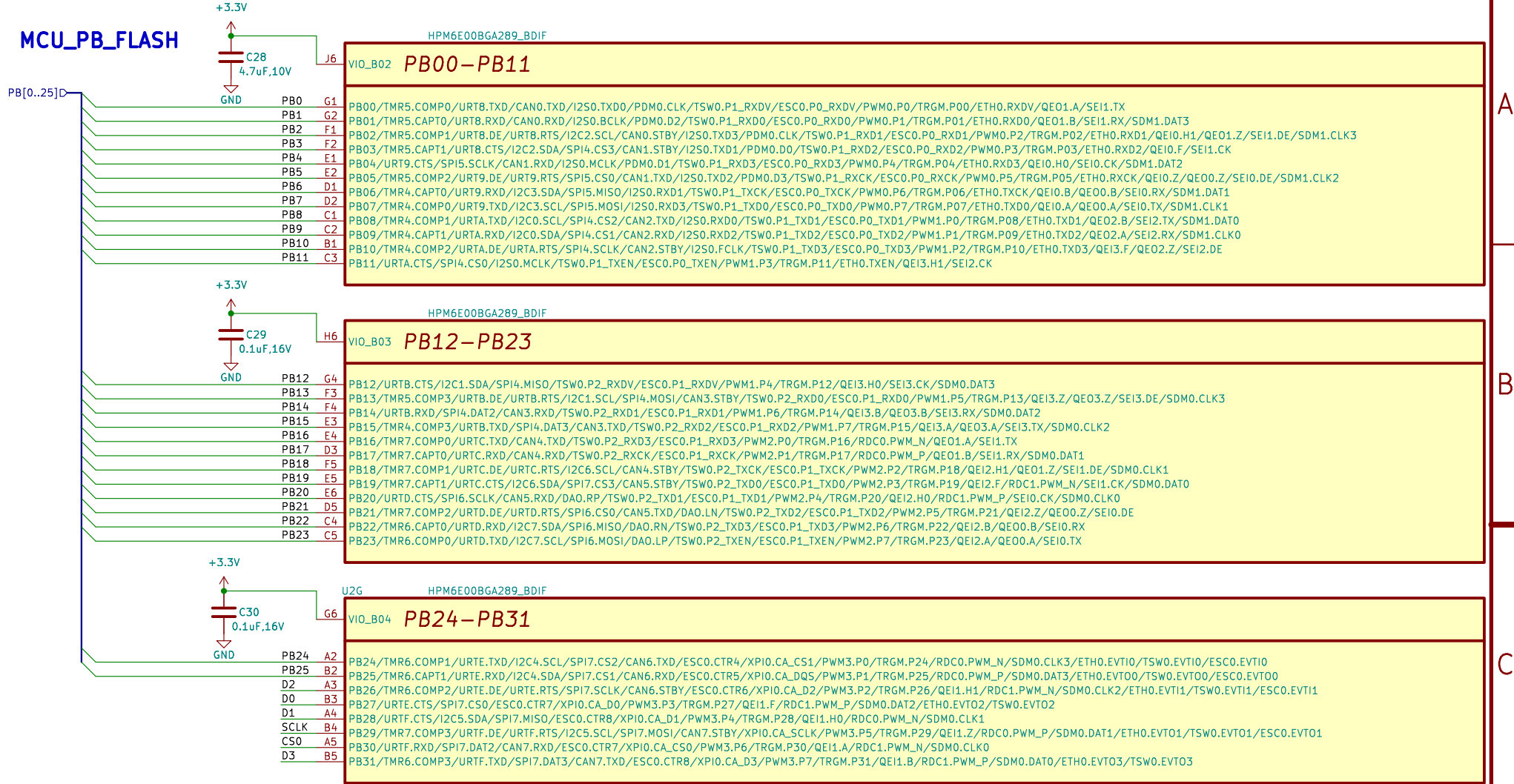
Size: A4

Date: 2026-02-11

Rev: RevA

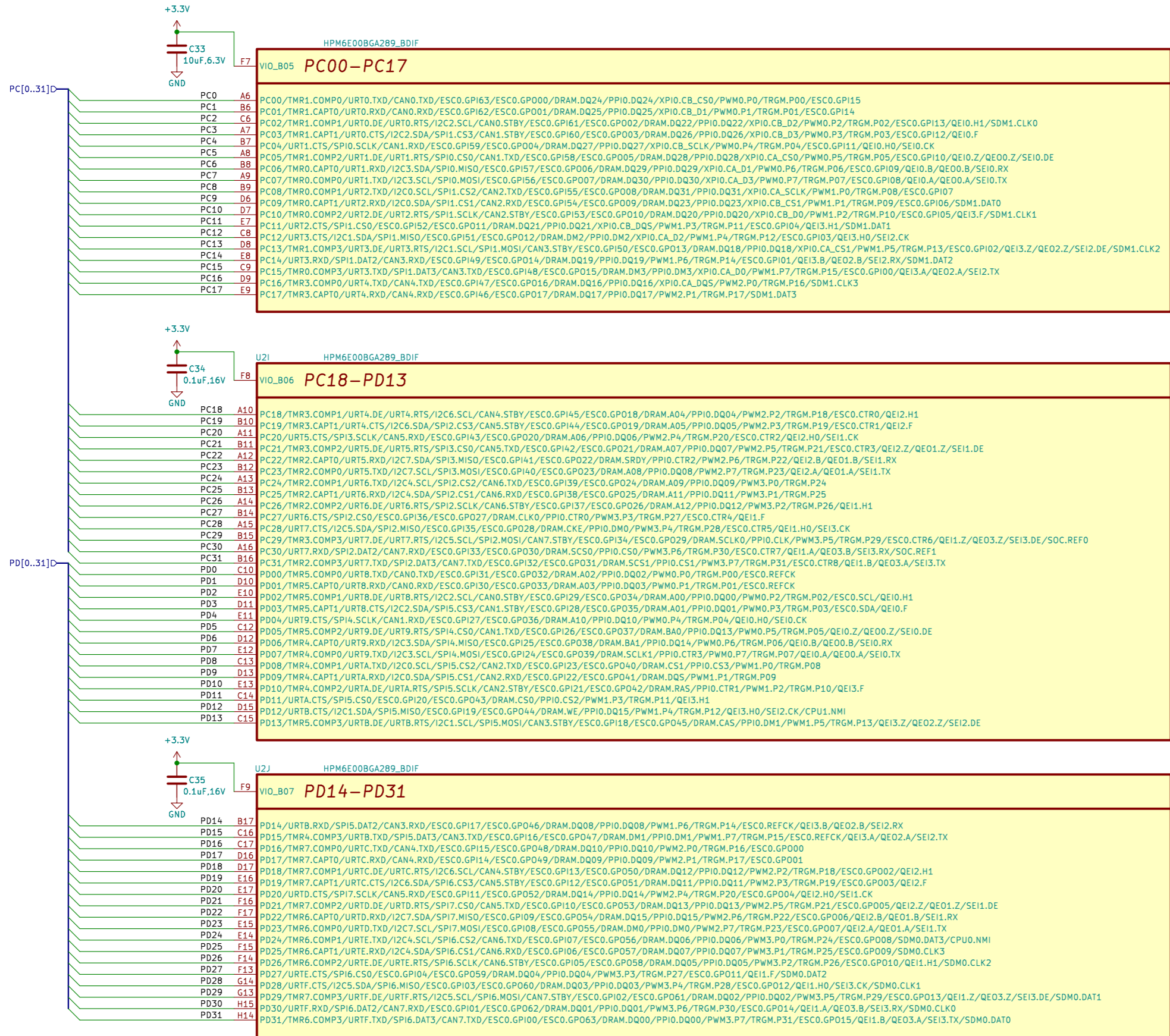
KiCad E.D.A. 8.0.9

Id: 4/15



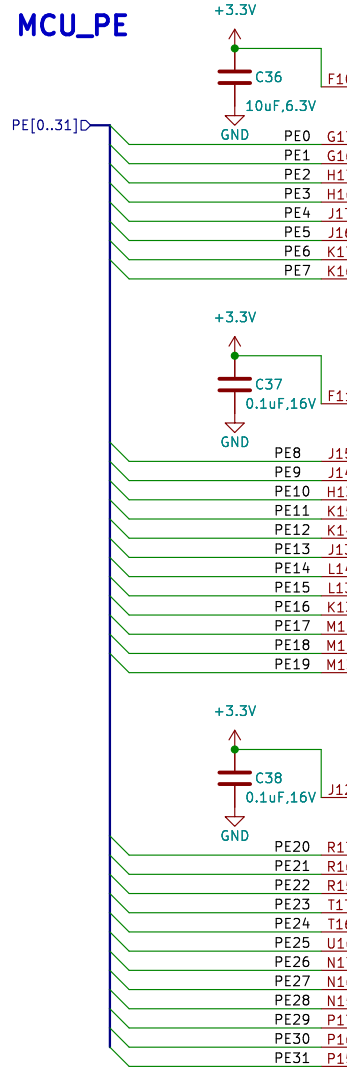
Sheet File: 04-FLASH-PB		
Title: HPM6E00EnetConnectTsnRevB		
Size: A4	Date: 2026-02-11	Rev: RevA
KiCad E.D.A. 8.0.9		Id: 5/15

MCU_PC_PD



Sheet File: 05-PC-PD		
Title: HPM6E00EnetConnectTsnRevB		
Size: A3	Date: 2026-02-11	Rev: RevA
KiCad E.D.A. 8.0.9	Id: 6/15	

MCU_PE



U2K HPM6E00BGA289_BDIF

VIO_B08 PE00-PE07

PE00	G17	PE00/TMR1.COMPO/URT0.TXD/CAN0.TXD/TSW0.P1_MDC/ESCO.CTR4/PPIO.CTR4/PWM0.P0/TRGM.P00/RDC0.PWM_N/QE01.A/SEI1.TX/SDM1.DAT2/USB0.ID/ETH0.EVT01/TSW0.EVT01/ESCO.EVT01
PE01	G16	PE01/TMR1.CAPT0/URT0.RXD/CAN0.RXD/DAO.RP/TSW0.P1_MDIO/ESCO.CTR5/PPIO.CTR5/PWM0.P1/TRGM.P01/RDC0.PWM_P/QE01.B/SEI1.RX/SDM1.CLK2
PE02	H17	PE02/TMR1.COMP1/URT0.DE/URT0.RTS/I2C2.SCL/CAN0.STBY/DAO.LP/ESCO.CTR6/PPIO.CTR6/PWM0.P2/TRGM.P02/QE10.H1/QE01.Z/SEI1.DE/SDM1.DAT3
PE03	H16	PE03/TMR1.CAPT1/URT0.CTS/I2C2.SDA/SPIO.CS3/CAN1.STBY/TSW0.P2_MDC/ESCO.CTR1/PPIO.CTR7/PWM0.P3/TRGM.P03/QE10.F/RDC1.PWM_N/SEI1.CK/SDM1.DAT1/USB0.OC/ETH0.EVT02/TSW0.EVT02
PE04	J17	PE04/URT1.CTS/SPI1.SCLK/CAN1.RXD/DAO.RN/TSW0.P2_MDIO/ESCO.CTR2/PWM0.P4/TRGM.P04/QE10.H0/RDC1.PWM_P/SE10.CK/SDM1.CLK1/ETH0.EVT11/TSW0.EVT11/ESCO.EVT11
PE5	J16	PE05/TMR1.COMP2/URT1.DE/URT1.RTS/SPI1.CS0/CAN1.TXD/DAO.LN/ESCO.CTR3/PWM0.P5/TRGM.P05/QE10.Z/QE00.Z/SE10.DE/SDM1.CLK3/ETH0.EVT03/TSW0.EVT03
PE6	K17	PE06/TMR0.CAPT0/URT1.RXD/I2C3.SDA/SPI1.MISO/TSW0.P3_MDC/ESCO.REFCK/PWM0.P6/TRGM.P06/ETH0.CRS/QE10.B/QE00.B/SE10.RX/SDM1.DAT0/USB0.PWR/ETH0.EVT00/TSW0.EVT00/ESCO.EVT00
PE7	K16	PE07/TMR0.COMPO/URT1.TXD/I2C3.SCL/SPI1.MOSI/TSW0.P3_MDIO/ESCO.CTR0/PWM0.P7/TRGM.P07/ETH0.COL/QE10.A/QE00.A/SE10.TX/SDM1.CLK0/ETH0.EVT10/TSW0.EVT10/ESCO.EVT10

U2L HPM6E00BGA289_BDIF

VIO_B09 PE08-PE19

PE08	J15	PE08/TMR0.COMP1/URT2.TXD/I2C0.SCL/SPIO.CS2/CAN2.TXD/TSW0.P1_RXDV/ESCO.P2_RXDV/PWM1.P0/TRGM.P08/RDC0.PWM_N/QE02.B/SEI2.TX
PE09	J14	PE09/TMR0.CAPT1/URT2.RXD/I2C0.SDA/SPIO.CS1/CAN2.RXD/TSW0.P1_RXD0/ESCO.P2_RXD0/PWM1.P1/TRGM.P09/RDC0.PWM_P/QE02.A/SEI2.RX
PE10	H13	PE10/TMR0.COMP2/URT2.DE/URT2.RTS/SPIO.SCLK/CAN2.STBY/TSW0.P1_RXD1/ESCO.P2_RXD1/PWM1.P2/TRGM.P10/QEI3.F/QE02.Z/SEI2.DE
PE11	K15	PE11/URT2.CTS/SPIO.CS0/TSW0.P1_RXD2/ESCO.P2_RXD2/PWM1.P3/TRGM.P11/QEI3.H1/RDC1.PWM_N/SEI2.CK
PE12	K14	PE12/URT3.CTS/I2C1.SDA/SPIO.MISO/TSW0.P1_RXD3/ESCO.P2_RXD3/PWM1.P4/TRGM.P12/QEI3.H0/RDC1.PWM_P/SEI3.CK
PE13	J13	PE13/TMR1.COMP3/URT3.DE/URT3.RTS/I2C1.SCL/SPIO.MOSI/CAN3.STBY/TSW0.P1_RXCK/ESCO.P2_RXCK/PWM1.P5/TRGM.P13/QEI3.Z/QE03.Z/SEI3.DE
PE14	L14	PE14/URT3.RXD/SPIO.DAT2/CAN3.RXD/TSW0.P1_TXCK/ESCO.P2_TXCK/PWM1.P6/TRGM.P14/QEI3.B/QE03.B/SEI3.RX
PE15	L13	PE15/TMR0.COMP3/URT3.TXD/SPIO.DAT3/CAN3.TXD/TSW0.P1_TXD0/ESCO.P2_TXD0/PWM1.P7/TRGM.P15/QEI3.A/QE03.A/SEI3.TX
PE16	K13	PE16/TMR3.COMPO/URT4.TXD/CAN4.TXD/TSW0.P1_TXD1/ESCO.P2_TXD1/PWM2.P0/TRGM.P16/RDC0.PWM_N/QE01.A/SEI1.TX
PE17	M15	PE17/TMR3.CAPT0/URT4.RXD/CAN4.RXD/TSW0.P1_TXD2/ESCO.P2_TXD2/PWM2.P1/TRGM.P17/RDC0.PWM_P/QE01.B/SEI1.RX
PE18	M14	PE18/TMR3.COMP1/URT4.DE/URT4.RTS/I2C6.SCL/CAN4.STBY/TSW0.P1_TXD3/ESCO.P2_TXD3/PWM2.P2/TRGM.P18/QEI2.H1/QE01.Z/SEI1.DE
PE19	M13	PE19/TMR3.CAPT1/URT4.CTS/I2C6.SDA/SPI3.CS3/CAN5.STBY/TSW0.P1_TXEN/ESCO.P2_TXEN/PWM2.P3/TRGM.P19/QEI2.F/RDC1.PWM_N/SEI1.CK

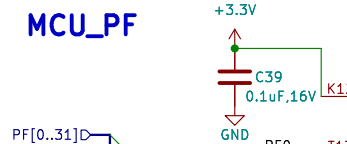
U2M HPM6E00BGA289_BDIF

VIO_B10 PE20-PE31

PE20	R17	PE20/URT5.CTS/SPI2.SCLK/CAN5.RXD/I2S1.FCLK/TSW0.P3_RXDV/ESCO.P2_RXDV/PWM2.P4/TRGM.P20/ETH0.RXDV/QEI2.H0/RDC1.PWM_P/SE10.CK
PE21	R16	PE21/TMR3.COMP2/URT5.DE/URT5.RTS/SPI2.CS0/CAN5.TXD/I2S1.RXD2/TSW0.P3_RXD0/ESCO.P2_RXD0/PWM2.P5/TRGM.P21/ETH0.RXD0/QEI2.Z/QE00.Z/SE10.DE
PE22	R15	PE22/TMR2.CAPT0/URT5.RXD/I2C7.SDA/SPI2.MISO/I2S1.RXD0/TSW0.P3_RXD1/ESCO.P2_RXD1/PWM2.P6/TRGM.P22/ETH0.RXD1/QEI2.B/QE00.B/SE10.RX
PE23	T17	PE23/TMR2.COMPO/URT5.TXD/I2C7.SCL/SPI2.MOSI/I2S1.MCLK/TSW0.P3_RXD2/ESCO.P2_RXD2/PWM2.P7/TRGM.P23/ETH0.RXD2/QEI2.A/QE00.A/SE10.TX
PE24	T16	PE24/TMR2.COMP1/URT6.TXD/I2C4.SCL/SPI3.CS2/CAN6.TXD/I2S1.RXD3/TSW0.P3_RXD3/ESCO.P2_RXD3/PWM3.P0/TRGM.P24/ETH0.RXD3/RDC0.PWM_N/QE02.A/SEI2.TX
PE25	U16	PE25/TMR2.CAPT1/URT6.RXD/I2C4.SDA/SPI3.CS1/CAN6.RXD/I2S1.RXD1/TSW0.P3_RXCK/ESCO.P2_RXCK/PWM3.P1/TRGM.P25/ETH0.RXCK/RDC0.PWM_P/QE02.B/SEI2.RX
PE26	N17	PE26/TMR2.COMP2/URT6.DE/URT6.RTS/SPI3.SCLK/CAN6.STBY/I2S1.MCLK/TSW0.P3_TXCK/ESCO.P2_TXCK/PWM3.P2/TRGM.P26/ETH0.TXCK/QEI1.H1/QE02.Z/SEI2.DE
PE27	N16	PE27/URT6.CTS/SPI3.CS0/I2S1.TXD1/TSW0.P3_TXD0/ESCO.P2_TXD0/PWM3.P3/TRGM.P27/ETH0.TXD0/QEI1.F/RDC1.PWM_N/SEI2.CK
PE28	N15	PE28/URT7.CTS/I2C5.SDA/SPI3.MISO/I2S1.TXD2/TSW0.P3_TXD1/ESCO.P2_TXD1/PWM3.P4/TRGM.P28/ETH0.TXD1/QEI1.H0/RDC1.PWM_P/SEI3.CK
PE29	P17	PE29/TMR3.COMP3/URT7.DE/URT7.RTS/I2C5.SCL/SPI3.MOSI/CAN7.STBY/I2S1.TXD0/TSW0.P3_TXD2/ESCO.P2_TXD2/PWM3.P5/TRGM.P29/ETH0.TXD2/QEI1.Z/QE03.Z/SEI3.DE
PE30	P16	PE30/URT7.RXD/SPI3.DAT2/CAN7.RXD/I2S1.TXD3/TSW0.P3_TXD3/ESCO.P2_TXD3/PWM3.P6/TRGM.P30/ETH0.TXD3/QEI1.A/QE03.B/SEI3.RX
PE31	P15	PE31/TMR2.COMP3/URT7.TXD/SPI3.DAT3/CAN7.TXD/I2S1.BCLK/TSW0.P3_TXEN/ESCO.P2_TXEN/PWM3.P7/TRGM.P31/ETH0.TXEN/QEI1.B/QE03.A/SEI3.TX



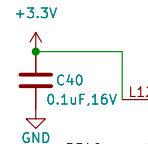
Sheet File: 06-PE		
Title: HPM6E00EnetConnectTsnRevB		
Size: A4	Date: 2026-02-11	Rev: RevA
KiCad E.D.A. 8.0.9		Id: 7/15



HPM6E00BGA289_BDIF

VIO_B11 PF00-PF15

PF0	T13	PF00/TMR5.COMP0/URT8.TXD/CAN0.TXD/DAO.LN/TSW0.P3_MDC/ESCO.MDC/PWM0.P0/TRGM.P00/ETH0.MDC/QE01.A/SEI1.TX
PF1	N12	PF01/TMR5.CAPT0/URT8.RXD/CAN0.RXD/DAO.LP/TSW0.P3_MDIO/ESCO.MDIO/PWM0.P1/TRGM.P01/ETH0.MDIO/QE01.B/SEI1.RX
PF2	U12	PF02/TMR5.COMP1/URT8.DE/URT8.RTS/I2C2.SCL/CAN0.STBY/TSW0.P3_TXCK/ESCO.P1_TXCK/PWM0.P2/TRGM.P02/ETH0.TXCK/QE10.H1/QE01.Z/SEI1.DE
PF3	N13	PF03/TMR5.CAPT1/URT8.CTS/I2C2.SDA/SPI4.CS3/CAN1.STBY/DAO.RN/TSW0.P3_TXD0/ESCO.P1_TXD0/PWM0.P3/TRGM.P03/ETH0.TXD0/QE10.F/SEI1.CK
PF4	N14	PF04/URT9.CTS/SPI5.SCLK/CAN1.RXD/DAO.RP/TSW0.P3_TXD1/ESCO.P1_TXD1/PWM0.P4/TRGM.P04/ETH0.TXD1/QE10.H0/SE10.CK
PF5	R14	PF05/TMR5.COMP2/URT9.DE/URT9.RTS/SPI5.CS0/CAN1.TXD/TSW0.P3_TXD2/ESCO.P1_TXD2/PWM0.P5/TRGM.P05/ETH0.TXD2/QE10.Z/QE00.Z/SE10.DE
PF6	U11	PF06/TMR4.CAPT0/URT9.RXD/I2C3.SDA/SPI5.MISO/TSW0.P3_TXD3/ESCO.P1_TXD3/PWM0.P6/TRGM.P06/ETH0.TXD3/QE10.B/QE00.B/SE10.RX
PF7	R13	PF07/TMR4.COMP0/URT9.TXD/I2C3.SCL/SPI5.MOSI/TSW0.P3_TXEN/ESCO.P1_TXEN/PWM0.P7/TRGM.P07/ETH0.TXEN/QE10.A/QE00.A/SE10.TX
PF8	R12	PF08/TMR4.COMP1/URTA.TXD/I2C0.SCL/SPI4.CS2/CAN2.TXD/TSW0.P3_RXDV/ESCO.P1_RXDV/PWM1.P0/TRGM.P08/ETH0.RXDV/QE02.B/SE12.TX
PF9	P13	PF09/TMR4.CAPT1/URTA.RXD/I2C0.SDA/SPI4.CS1/CAN2.RXD/TSW0.P3_RXD0/ESCO.P1_RXD0/PWM1.P1/TRGM.P09/ETH0.RXD0/QE02.A/SE12.RX
PF10	U13	PF10/TMR4.COMP2/URTA.DE/URTA.RTS/SPI4.SCLK/CAN2.STBY/TSW0.P3_RXD1/ESCO.P1_RXD1/PWM1.P2/TRGM.P10/ETH0.RXD1/QE13.F/QE02.Z/SE12.DE
PF11	P12	PF11/URTA.CTS/SPI4.CS0/TSW0.P3_RXD2/ESCO.P1_RXD2/PWM1.P3/TRGM.P11/ETH0.RXD2/QE13.H1/SE12.CK
PF12	T14	PF12/URTB.CTS/I2C1.SDA/SPI4.MISO/TSW0.P3_RXD3/ESCO.P1_RXD3/PWM1.P4/TRGM.P12/ETH0.RXD3/QE13.H0/SE13.CK
PF13	U14	PF13/TMR5.COMP3/URTB.DE/URTB.RTS/I2C1.SCL/SPI4.MOSI/CAN3.STBY/TSW0.P3_RXCK/ESCO.P1_RXCK/PWM1.P5/TRGM.P13/ETH0.RXCK/QE13.Z/QE03.Z/SE13.DE
PF14	U15	PF14/URTB.RXD/SPI4.DAT2/CAN3.RXD/TSW0.P3_RXER/ESCO.P1_RXER/PWM1.P6/TRGM.P14/ETH0.RXER/QE13.B/QE03.B/SE13.RX
PF15	T15	PF15/TMR4.COMP3/URTB.TXD/SPI4.DAT3/CAN3.TXD/TSW0.P1_RXER/ESCO.P2_RXER/PWM1.P7/TRGM.P15/ETH0.TXER/QE13.A/QE03.A/SE13.TX



HPM6E00BGA289_BDIF

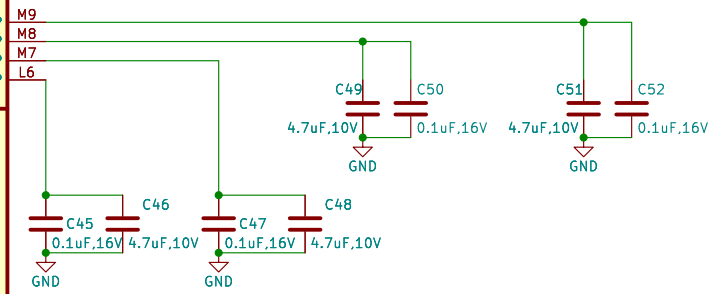
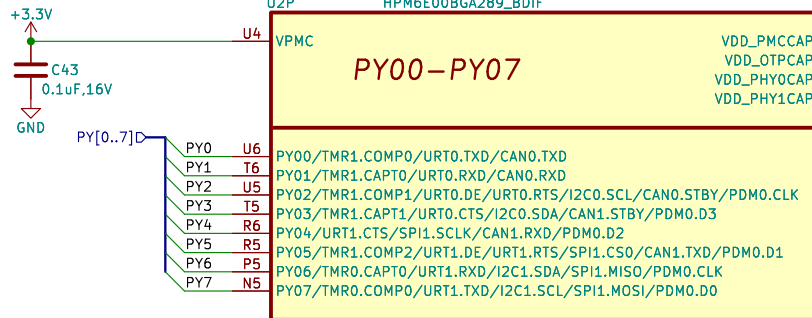
VIO_B12 PF16-PF31

PF16	U9	PF16/TMR7.COMP0/URTC.TXD/CAN4.TXD/PWM2.P0/TRGM.P16/SDM0.DAT0
PF17	U10	PF17/TMR7.CAPT0/URTC.RXD/CAN4.RXD/PWM2.P1/TRGM.P17/SDM0.CLK0
PF18	T10	PF18/TMR7.COMP1/URTC.DE/URTC.RTS/I2C6.SCL/CAN4.STBY/PWM2.P2/TRGM.P18/SDM0.DAT1/USB0.PWR/ETH0.EVT00/TSW0.EVT00/ESCO.EVT00
PF19	T8	PF19/TMR7.CAPT1/URTC.CTS/I2C6.SDA/SPI7.CS3/CAN5.STBY/PWM2.P3/TRGM.P19/SDM0.CLK1/USB0.PWR/ETH0.EVT02/TSW0.EVT02
PF20	T11	PF20/URTD.CTS/SPI6.SCLK/CAN5.RXD/PWM2.P4/TRGM.P20/SDM0.DAT3/USB0.OC/ETH0.EVT01/TSW0.EVT01/ESCO.EVT01
PF21	N11	PF21/TMR7.COMP2/URTD.DE/URTD.RTS/SPI6.CS0/CAN5.TXD/PWM2.P5/TRGM.P21/SDM0.DAT2/USB0.ID/ETH0.EVT10/TSW0.EVT10/ESCO.EVT10
PF22	T9	PF22/TMR6.CAPT0/URTD.RXD/I2C7.SDA/SPI6.MISO/PWM2.P6/TRGM.P22/SDM0.CLK2/USB0.ID/ETH0.EVT11/TSW0.EVT11/ESCO.EVT11
PF23	R8	PF23/TMR6.COMP0/URTD.TXD/I2C7.SCL/SPI6.MOSI/PWM2.P7/TRGM.P23/SDM0.CLK3/USB0.OC
PF24	P9	PF24/TMR6.COMP1/URTE.TXD/I2C4.SCL/SPI7.CS2/CAN6.TXD/PWM3.P0/TRGM.P24/SDM1.DAT0
PF25	P10	PF25/TMR6.CAPT1/URTE.RXD/I2C4.SDA/SPI7.CS1/CAN6.RXD/PWM3.P1/TRGM.P25/SDM1.CLK0
PF26	T12	PF26/TMR6.COMP2/URTE.DE/URTE.RTS/SPI7.SCLK/CAN6.STBY/PWM3.P2/TRGM.P26/SDM1.DAT1/CPU0.NMI/ETH0.EVT03/TSW0.EVT03
PF27	P11	PF27/URTE.CTS/SPI7.CS0/PWM3.P3/TRGM.P27/SDM1.CLK1
PF28	R10	PF28/URTF.CTS/I2C5.SDA/SPI7.MISO/PWM3.P4/TRGM.P28/SDM1.DAT2/CPU1.NMI
PF29	N10	PF29/TMR7.COMP3/URTF.DE/URTF.RTS/I2C5.SCL/SPI7.MOSI/CAN7.STBY/PWM3.P5/TRGM.P29/SDM1.CLK2
PF30	N9	PF30/URTF.RXD/SPI7.DAT2/CAN7.RXD/PWM3.P6/TRGM.P30/SDM1.CLK3
PF31	R9	PF31/TMR6.COMP3/URTF.TXD/SPI7.DAT3/CAN7.TXD/PWM3.P7/TRGM.P31/SDM1.DAT3

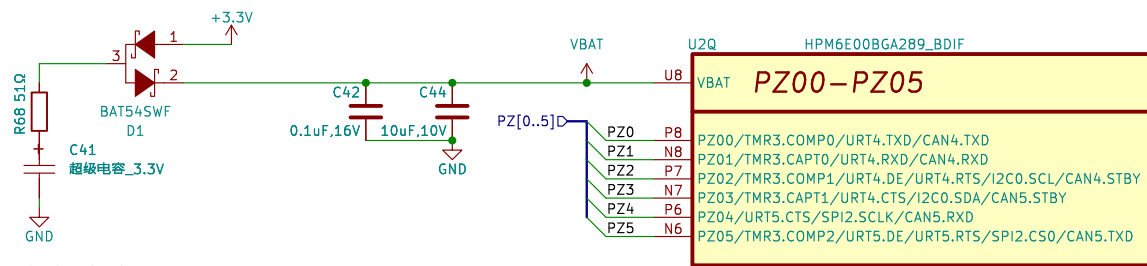


Sheet File: 07-PF		
Title: HPM6E00EnetConnectTsnRevB		
Size: A4	Date: 2026-02-11	Rev: RevA
KiCad E.D.A. 8.0.9	Id: 8/15	

MCU_VPMC_PY



MCU_VBAT_PZ



超级电容



Sheet File: 08-VPMC-PY-VBAT-PZ

Title: HPM6E00EnetConnectTsnRevB

Size: A4

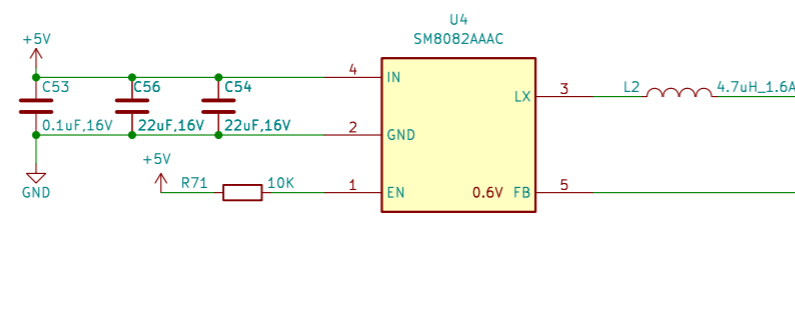
Date: 2026-02-11

Rev: RevA

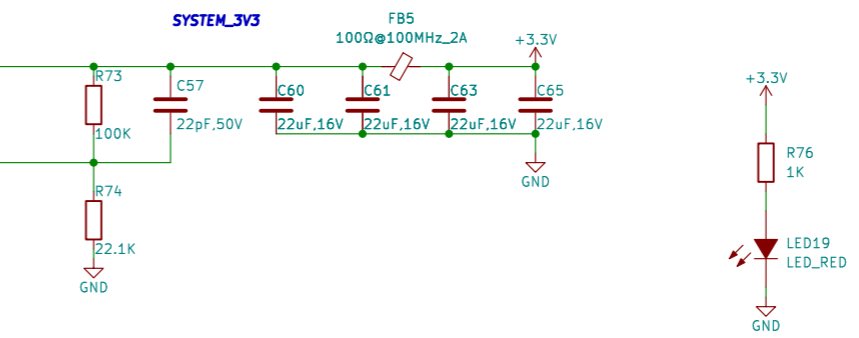
KiCad E.D.A. 8.0.9

Id: 9/15

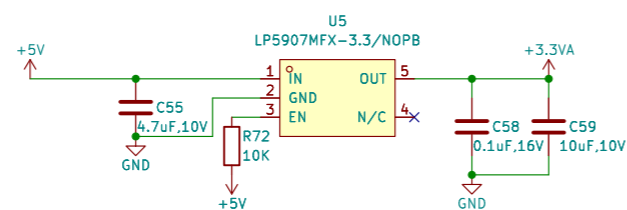
USB-TypeC 5V INPUT



SYSTEM_3V3

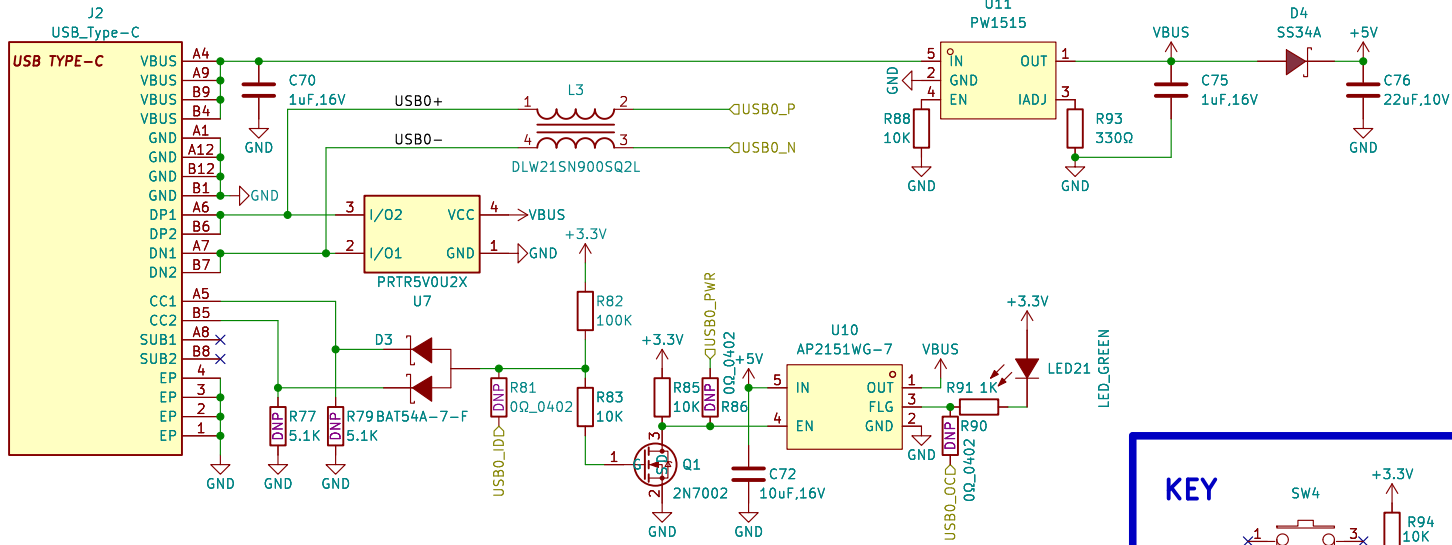


ANALOG REFERENCE 3V3

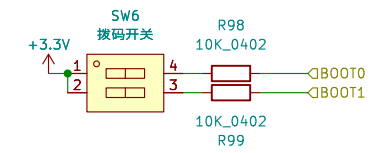


Sheet File: 09-POWER		
Title: HPM6E00EnetConnectTsnRevB		
Size: A3	Date: 2026-02-11	Rev: RevA
KICad E.D.A. 8.0.9		Id: 10/15

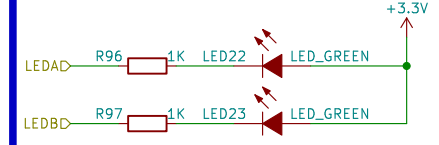
USB-OTG



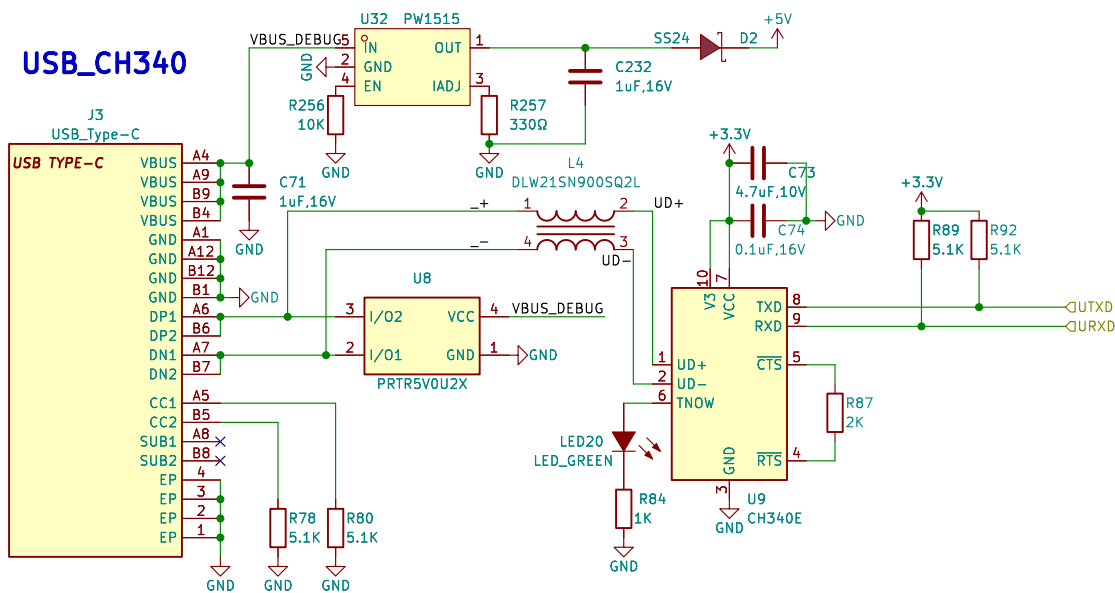
BOOT



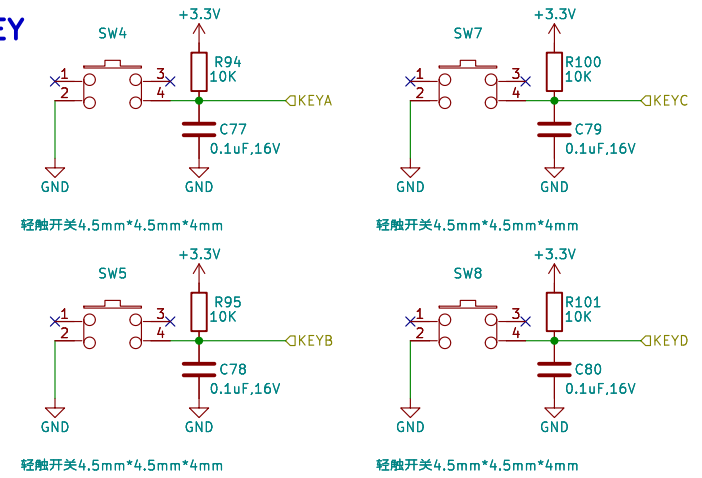
LED



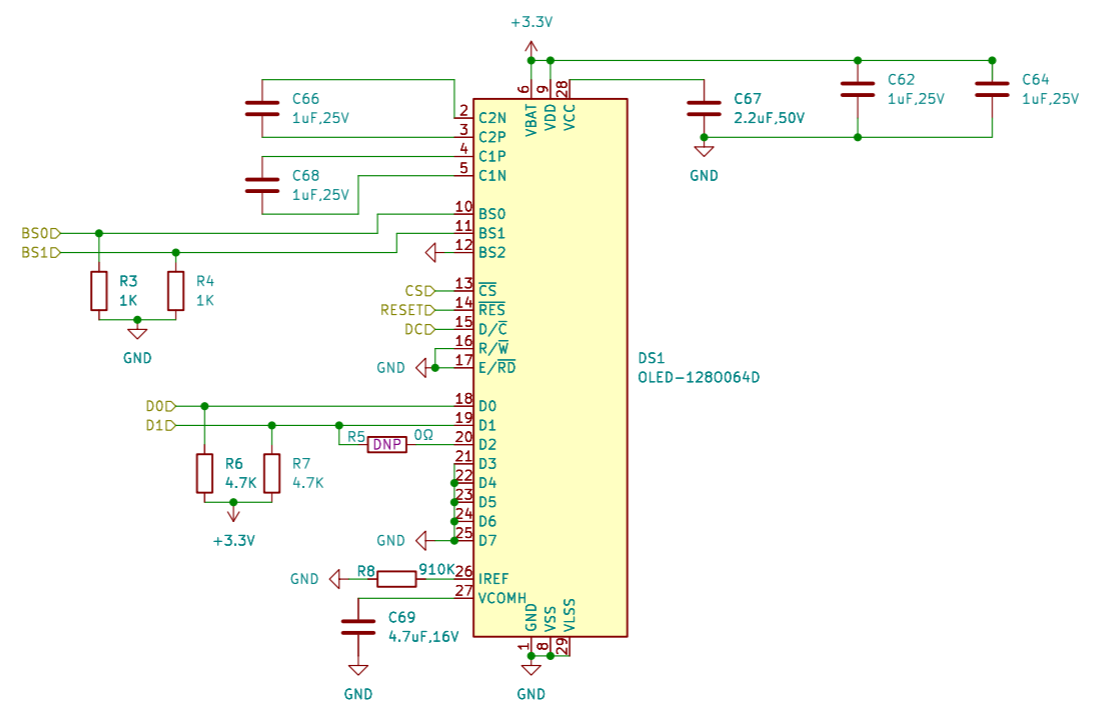
USB_CH340



KEY

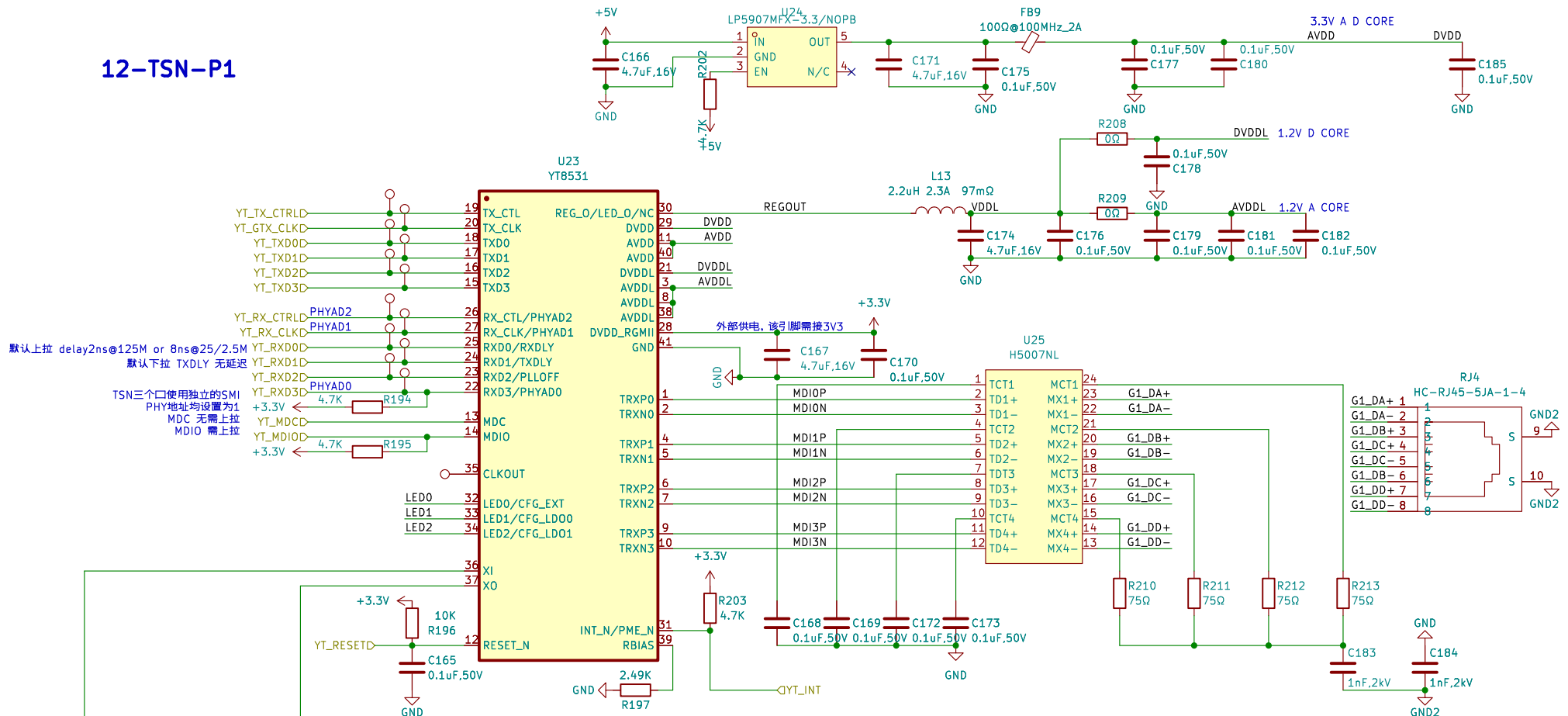


Sheet File: 10-USB-BOOT-KEY-LED		
Title: HPM6E00EnetConnectTsnRevB		
Size: A4	Date: 2026-02-11	Rev: RevA
KiCad E.D.A. 8.0.9		Id: 11/15

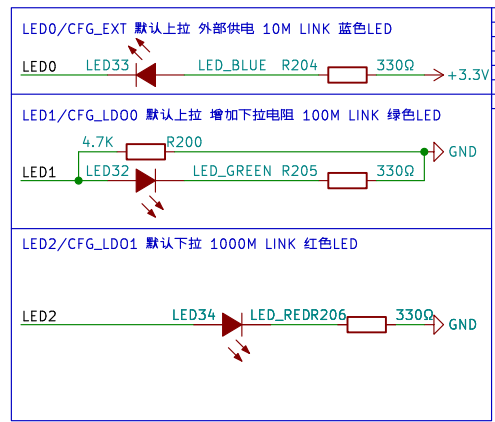


Sheet File: 11-OLED		
Title: HPM6E00EnetConnectTsnRevB		
Size: A3	Date: 2026-02-11	Rev: RevA
KICad E.D.A. 8.0.9		Id: 12/15

12-TSN-P1



默认上拉 delay2ns@125M or 8ns@25/2.5M
 默认下拉 TXDLY 无延迟
 TSN三个口使用独立的SMI
 PHY地址均设置为1
 MDC 无需上拉
 MDIO 需上拉

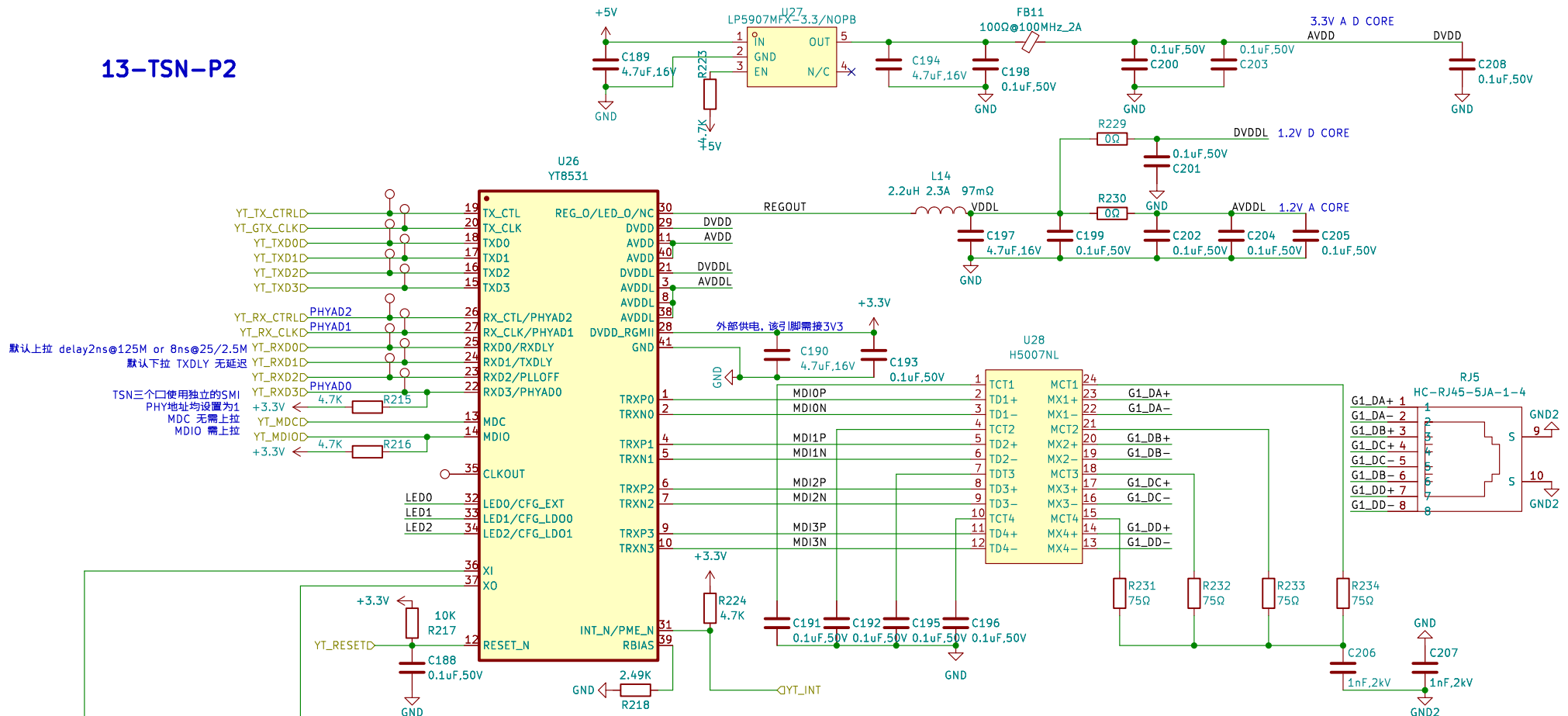


CFG_EXT	CFG_LD01	CFG_LD00	RGMI1 Vol
1'b1	1'b0	1'b0	外部3.3V
1'b1	1'b0	1'b1	外部2.5V
1'b1	1'b1	1'b0/1	内部1.8V
1'b0	1'b1	1'b1	内部2.5V
1'b0	1'b1	1'b1	内部1.8V
1'b0	1'b1	1'b1	内部1.8V

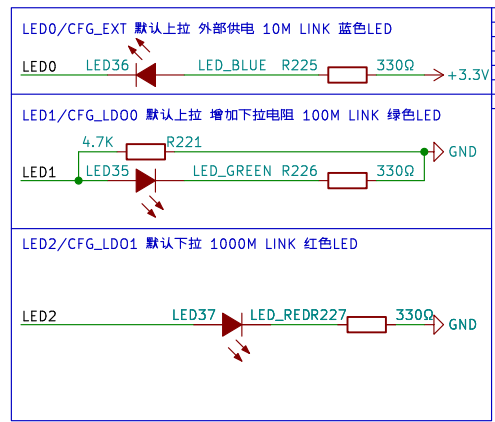


Sheet File: 12-TSN-P1		
Title: HPM6E00EnetConnectTsnRevB		
Size: A4	Date: 2026-02-11	Rev: RevA
KiCad E.D.A. 8.0.9		Id: 25/15

13-TSN-P2



默认上拉 delay2ns@125M or 8ns@25/2.5M
 默认下拉 TXDLY 无延迟
 TSN三个口使用独立的SMI
 PHY地址均设置为1
 MDC 无需上拉
 MDIO 需上拉



CFG_EXT	CFG_LD01	CFG_LD00	RGMI1 Vol
1'b1	1'b0	1'b0	外部3.3V
1'b1	1'b0	1'b1	外部2.5V
1'b1	1'b1	1'b0/1	外部1.8V
1'b0	1'b0	1'b1	内部2.5V
1'b0	1'b1	1'b1	内部1.8V
1'b0	1'b1	1'b1	内部1.8V



Sheet File: 13-TSN-P2		
Title: HPM6E00EnetConnectTsnRevB		
Size: A4	Date: 2026-02-11	Rev: RevA
KiCad E.D.A. 8.0.9		Id: 26/15